



HI, SONIC



HERO LABS™



SONIC™

Detects, prevents and stops water leaks in homes and businesses.

Water leaks are responsible for more damage to properties in the UK than any other cause.

On an average day, water leaks cause at least £1.8 million pounds worth of damage to homes and businesses across the UK.

Sonic™ by Hero Labs™ is the smartest leak defender ever designed. Sonic™ is AI-powered, combining HD Ultrasonic™ flow, pressure and temperature sensors with a user-customisable automatic water shutoff valve.

Sonic™ by Hero Labs™. The most brilliant way to secure your property from leaks.



The benefits

HD Ultrasonic™

Cutting-edge HD Ultrasonic™ technology detects even the lowest water flow.

Plumbing check

Sonic™ performs a scheduled pressure check on the plumbing system, alerting you to even the smallest possible leaks.

Integrated shut-off

The integrated smart shut-off automatically manages the incoming water supply to stop leaks from getting worse.

AI-powered insights

Sonic™ monitors the temperature of your pipes and can predict when there's a risk of freezing.



Class-leading radio

Innovative HeroLink™ radio lets Sonic™ communicate wirelessly over up to 300 metres or through up to eight floors inside buildings.

Battery powered

Sonic™ runs on lithium AA batteries, for up to 2 years of reliable, uninterrupted operation at a time.

Advanced DSP

AI-powered digital signal processing algorithms can distinguish between normal water use and harmful leaks – and even identify different appliances.

Machine learning

Sonic™ draws on a database of millions of learning instances and uses machine learning techniques to get smarter all the time.

Rugged and reliable

Sonic™ works in any orientation and the compact, rugged form factor fits in even the tightest of spaces.

Powerful mobile app features

Check up on your home from anywhere in the world! Get real-time alerts for leaks and unusual water patterns – or nominate friends and family to receive them if you're away.

AI-powered insights help you save water – see which appliances use the most, get estimated weekly or monthly consumption and track your usage over time.

Customisable behaviours, geofencing, multiple properties and more.



Sonic™

Sonic™ uses advanced AI algorithms to learn your habits and understand the difference between normal water use and harmful water leaks.

It's even smart enough to tell you which appliances use the most water, so you can save money and help to protect the environment, too.





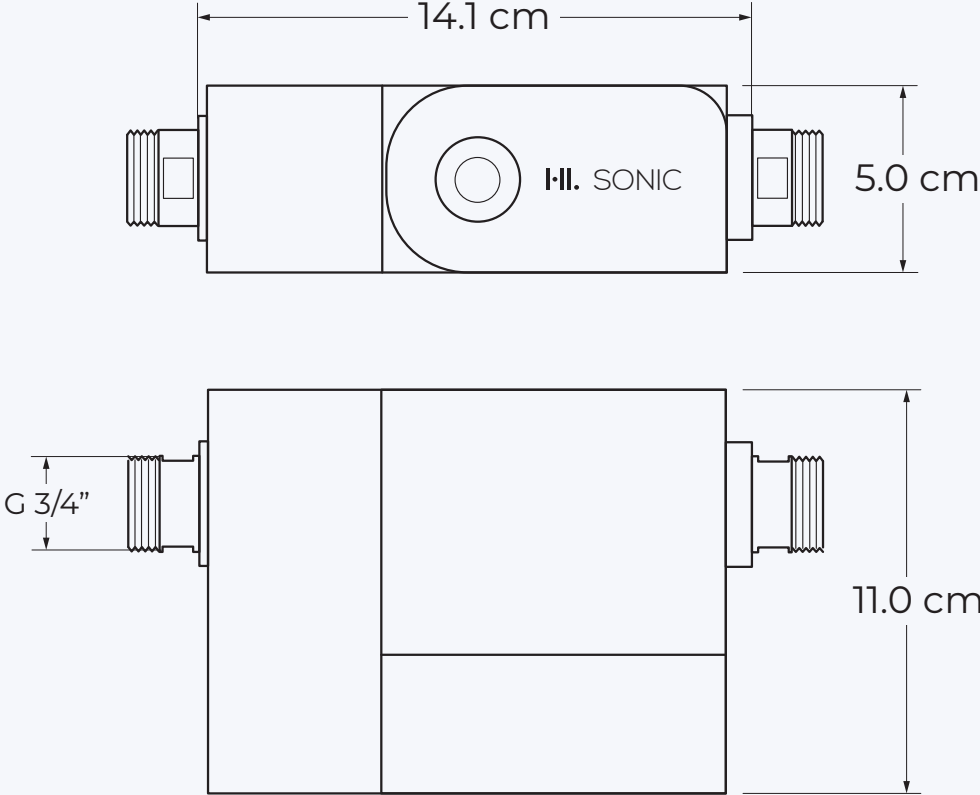
Signal™

Sonic's companion – Signal™ – provides a visual status indicator and an internal speaker to let you know if a leak is detected. Signal™ also features our class-leading HeroLink™ wireless technology, allowing Sonic™ to be installed in locations where there is no WiFi coverage.

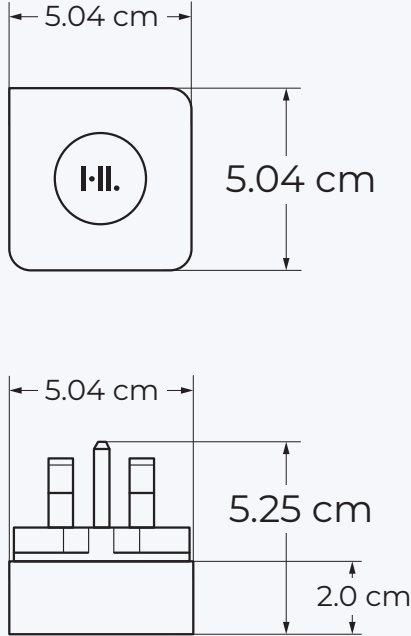
Dimensions

Specifications are subject to change without notice.

Sonic™



Signal™



No power socket? No problem.

Sonic's flexible power plan means it's always got your back.

Go completely wireless with up to 2 years of operation from lithium batteries, or run from the mains with the safety of battery backup if the power goes out.

Sonic works with almost all standard plumbing configurations, and the compact, rugged form-factor easily fits into tight spaces like wall cavities.





HERO LABS™

Contact us!



hi@hero-labs.com
www.hero-labs.com